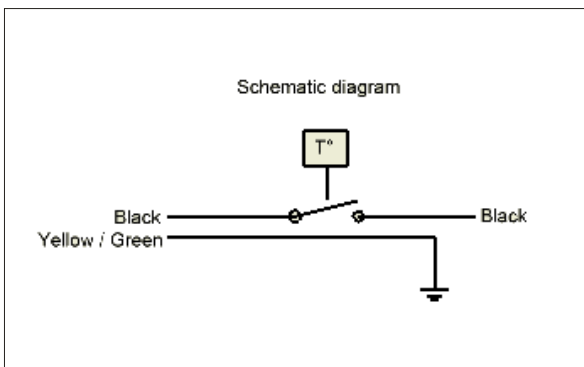




Ambient thermostat HT-16A for use in Hazardous Area with fixed set point (see table below). The thermostat has to be installed in an certified EExe enclosure to a M25 entry, and must be connected to a circuit breaker max. 16A. Can be made in other materials on request.

### Technical data:

Material:	Brass
Protection:	IP66/67
Ex-protection:	⊕ II 2G Ex mb IIC T6 Gb
Switching capacity:	240V 16A 50/60 Hz
Switching type:	Single pole charge over
Switching accuracy:	± 3 °C
Approval:	Nemko 04ATEX1505X IECEX NEM 13.0045X
Electrical protection:	16A
Ambient temperature:	-40 °C to 40 °C
Thread:	M25



Description	Temp. range On / Off	OneCo Safe Yards part no.
HT-16A Ambient thermostat	5°C - 15°C	1000.090
HT-16A Ambient thermostat	16°C - 27°C	1000.091
HT-16A Ambient thermostat	32°C - 43°C	1000.092