



# Pipe Mounted Junction Box type HT-xx for easy access terminals

www.elcor.no



Pipe mounted junction box type HT-xx for heat tracing and easy access terminals equipped with:

- Transition units for heating cables
- M25 entries for power / heating cables
- Phoenix UT terminals
- Snap off DIN rail for easy access.
- All entries equipped with dust plugs
- For nVent/Raychem Heat Trace cables

### Technical data:

Material: AISI316L/EN 1.4404

Protection: IP66/67

Ex-protection:

ATEX II 2 G Ex e IIC T6 Gb

IECEX Ex e IIC T6 Gb

Finish: Bright chemical dip

Voltage:  Max: 500 V / 32 A

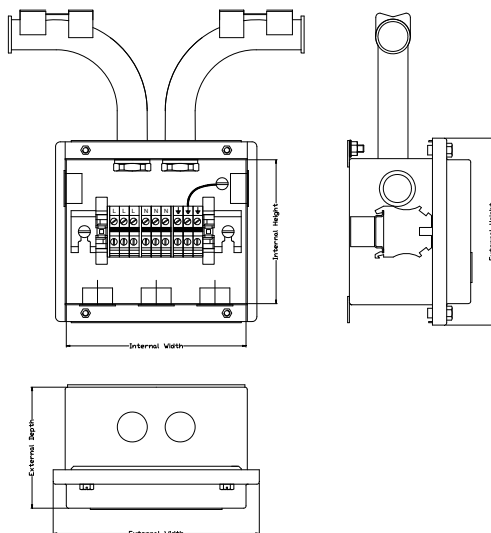
Approval: Nemko 14ATEX1001X

IECEX NEM 14.0003X

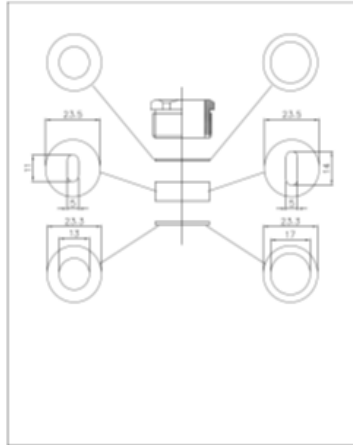
Ta:

Standard:  $-20^{\circ}\text{C} \leq T_a \leq +40^{\circ}\text{C}$  EPDM gasket

Artic:  $-40^{\circ}\text{C} \leq T_a \leq +40^{\circ}\text{C}$  Silicone gasket



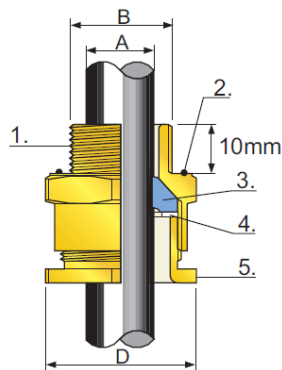
Description	External Dimension (WxHxD)	Internal dimension (WxHxD)	Approx. Weight	Elcor Part no.
HT-10 P, 1 transition unit 4 entries M25	136x246x82	100x120x75	1,3 kg	1000.410
HT-20 P, 2 transition units 7(9) entries M25	173x259x82	150x120x75	1,7 kg	1000.420
HT-30 P, 2 transition units 9 entries M25	176x281x103	155x140x100	2,2 kg	1000.430
HT-60 P, 2 transition units 8 entries M25	202x261x103	180x120x100	2,1 Kg	1000.460



Description	Elcor part no.
Compression kit transition unit for heating cable with single slot grommet 5x11 and 5x15	1702.101

RA2E

1. - Entry Component
2. - O-ring seal
3. - Flameproof seal
4. - Skid Washer
5. - Outer Seal Nut



Description	Elcor part no.
CMP RA2E M25 Cable gland Ø11,9-19,9 w/lock nut	2005.415
CMP M25 Stopping plug w/lock nut	2005.416
Drainplug M25 w/lock nut	2005.410



# Pipe Mounted Junction Box type HT-xx for easy access terminals

[www.elcor.no](http://www.elcor.no)

Type / Model	Minimum Terminal / Conductor Cross-Section	Max load	Max number of terminals
HT-01	2,5 mm <sup>2</sup>	16 A	10
HT-10	4 mm <sup>2</sup>	20 A	10
HT-02	2,5 mm <sup>2</sup>	16 A	10
HT-20	4 mm <sup>2</sup>	20 A	10
	6 mm <sup>2</sup>	25 A	8
	10 mm <sup>2</sup>	32 A	8
HT-03	2,5 mm <sup>2</sup>	16 A	12
HT-30	4 mm <sup>2</sup>	20 A	12
HT-06	6 mm <sup>2</sup>	25 A	9
HT-60	10 mm <sup>2</sup>	32 A	8
HT-04	2,5 mm <sup>2</sup>	16 A	14
HT-40	4 mm <sup>2</sup>	20 A	12
	6 mm <sup>2</sup>	25 A	10
	10 mm <sup>2</sup>	32 A	10
Smartbox-A 101010	2,5 mm <sup>2</sup>	16 A	10
	4 mm <sup>2</sup>	20 A	10
Smartbox-A 151010	2,5 mm <sup>2</sup>	16 A	10
	4 mm <sup>2</sup>	20 A	10
	6 mm <sup>2</sup>	25 A	8
	10 mm <sup>2</sup>	32 A	8
Smartbox-A 201510	2,5 mm <sup>2</sup>	16 A	14
	4 mm <sup>2</sup>	20 A	12
	6 mm <sup>2</sup>	25 A	10
	10 mm <sup>2</sup>	32 A	10
Smartbox-A 202010	2,5 mm <sup>2</sup>	16 A	14
	4 mm <sup>2</sup>	20 A	12
	6 mm <sup>2</sup>	25 A	10
	10 mm <sup>2</sup>	32 A	10