



Cladding protector that protects the heating cable at sharp edges such as endplates of insulation cladding. For use where heating cable runs out of insulation cladding.

Technical data:

Material: SS316L

Measures: 8x25x17 mm

Weight: 6 gr.

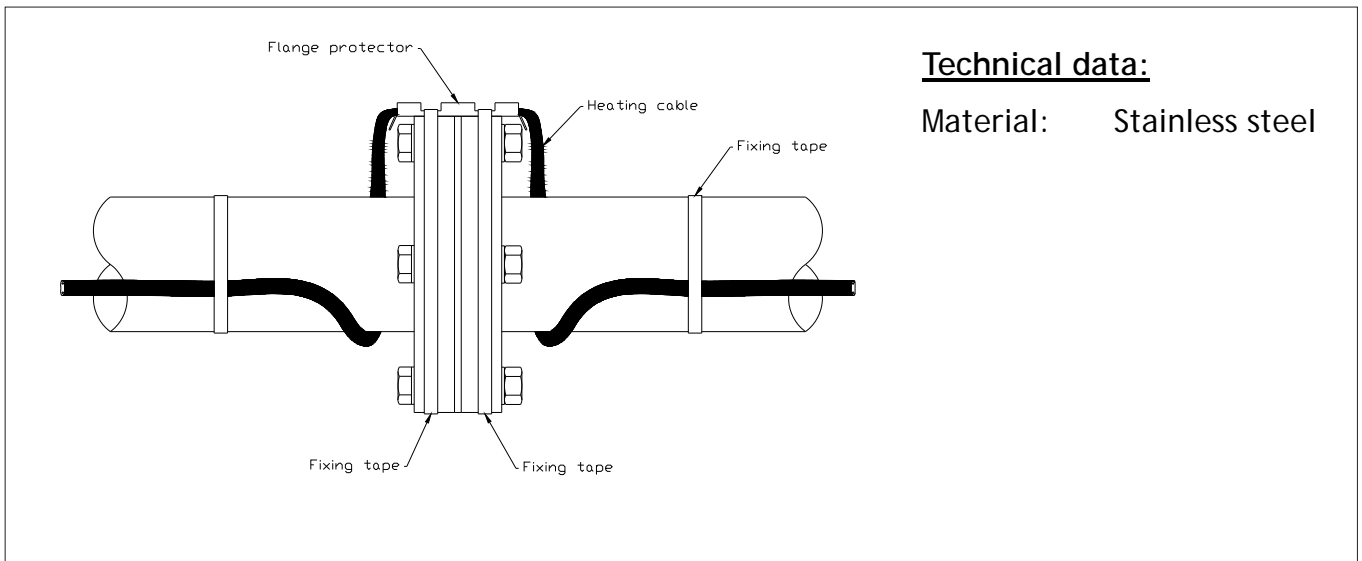
Description	Elcor Part no.
Cladding protector	1700.409



Flange protector for mechanical protection of heating cable when crossing flanges.

This protector avoids damage to the heating cable when you have steam leakage.

The protector also protect the heating cable against sharp edges on flanges and bolts.



Technical data:

Material: Stainless steel

Description	Length	Elcor Part no.
Flange protector type A	50 mm	1700.420
Flange protector type B	75 mm	1700.425
Flange protector type C	100 mm	1700.430
Flange protector type D	125 mm	1700.435