




HT-40 FCB Type 3 Variation 1

Junction Box:

- ATEX and IECEx approved.
- CE marked.
- Suitable for installation in harsh environments and hazardous area Zone 1 and Zone 2 dependent on the protection level.
- Direct termination for block heater and Enclosure heaters

Technical data:

Material: AISI316L/EN 1.4404
 Protection: IP 66/67 Acc. IEC 60529
 Ex-protection:  II 2 G Ex db eb IIC T5 Gb

Ta: -20°C ≤ Ta ≤ +40°C EPDM gasket
 -40°C ≤ Ta ≤ +40°C Silicone gasket*

Finish: Bright chemical dip
 Electrical Data: 690V, 1A/16A
 Approvals:
 ATEX: DNV 21 ATEX 71773X
 IECEx: IECEx DNV 21.0057X

Fuse Carrier Junction Box for direct or indirect connection of Elcor instrument heater OCIH or other circuits that needs to be protected. The Fuse Carrier Junction Box comes in 3 different sizes and 2 variations each. The fuse(-s) cartridges that has to be installed are gG/gL or aM 14x51mm, approved acc. to IEC 60269 with max. Dissipated power of 3,9W, max. 16A. Glands, stopper plugs, drain/breather plugs and fuse cartridge(-s) has to be specified and ordered in addition.

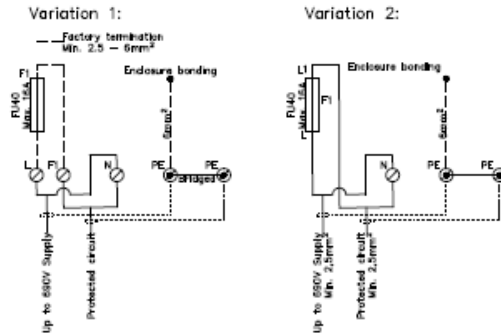
All measurements are in mm.

Type	External (Width)	External (Height)	External (Depth)	Internal (Width)	Internal (Height)	Internal (Depth)	Weight	Elcor part.no.
HT-10 FCB Type 1 Variation 1	136	141	82	100	120	75	1,4 kg	1000.590
HT-10 FCB Type 1 Variation 2	136	141	82	100	120	75	1,4 kg	1000.591
HT-20 FCB Type 2 Variation 1	173	154	82	150	120	75	1,7 kg	1000.592
HT-20 FCB Type 2 Variation 2	173	154	82	150	120	75	1,7 kg	1000.593
HT-40 FCB Type 3 Variation 1	241	174	103	155	140	100	2,2 kg	1000.594
HT-40 FCB Type 3 Variation 2	241	174	103	155	140	100	2,2 kg	1000.595

*HT-xx S = Silicone gasket

FCB	-	...	-	...	-	...	(- ...)
Enclosure size:									
10									
20									
40									
Type:									
1									
2									
3									
Variation:									
1									
2									
Connection:									
I – Indirect									
D - Direct									
Fuse Size									
1 – 0,25A – 2A									
2 – 4A – 6A									
3 – 8A – 10A									
4 – 12A									
5 – 16A									
S – Silicon gasket for $-40^{\circ}\text{C} \leq T_a \leq 40^{\circ}\text{C}$									

Typical wiring, Type 1



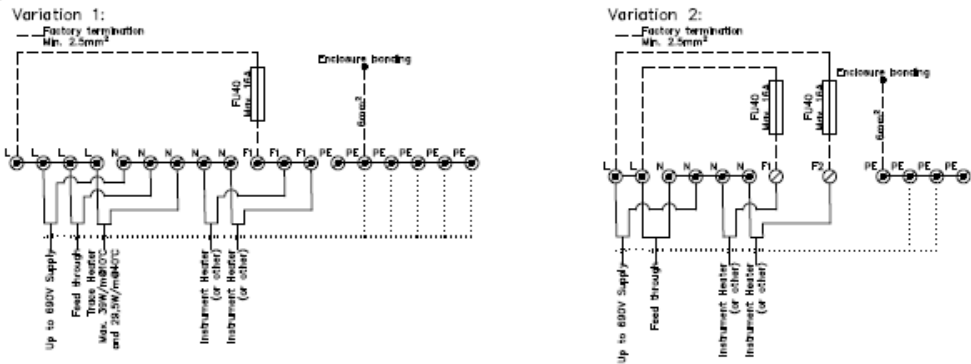
General:
 1 circuit, max. 16A distributed across fuses and terminals.

I.E Type 3 Variation 2:

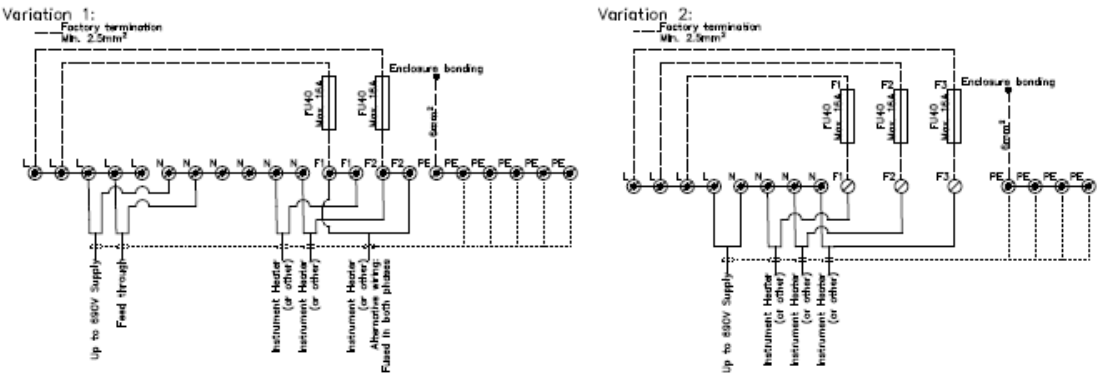
$F1(5A)+F2(5A)+F3(5A)=\text{Total load } 15A < \text{less than maximum permitted circuit of } 16A.$

For Type 2 variation 2 and Type 3 variation 1 is possible to have a fuse in both phases by altering the wiring.

Typical wiring, Type 2



Typical wiring, Type 3



All glands, stopper plugs etc. shall be in accordance with EN 60079-0 and EN 60079-7 when installed in a Ex e enclosure. Various combinations of terminals may be fitted within the terminal boxes. In such cases, the total percentage of the installation shall be less than 100%.