

**Elcor** have over decades developed and supplied accessories for safe installation of heat trace cables. These solutions and products are made to fit Elcor junction boxes, switch boxes and Thermostats. A selection of these are shown in this combined datasheet.

With Elcor's experience, flexibility and knowledge, makes clients challenges for mechanical protection in Heat trace installations reduced.

Elcor are distributor in Norway for CCG cable glands, this also includes newly developed and certified CCG A2F-HTF heat trace glands. All of Elcor branded junction boxes, switch boxes and thermostats are adapted to be used with CCG glands.

Elcor have numerous variations of protection kits not listed in this datasheet. Protection kits for heat trace cables and PT-100 sensors are made to clients requirement. Double sealing in combination with CCG glands for heat trace cables and PT-100 elements.

Contact Elcor at [sales@elcor.no](mailto:sales@elcor.no) if questions or additional information are needed.



Picture: Protection kit with transition unit



Picture: Protection kit cladding penetration



## A2F-HTF-FC

Ex db I/IIC, Ex eb I/IIC, Ex ta IIIC, Ex nR IIC

COMPRESSION GLAND WITH CONDUIT CONNECTIONS for Heat Trace Cable



CCG A2F-HT-FC heat trace glands are made to fit multi brand heat trace cables without use of additional strain relief. Flexible conduit can be directly connected to gland body with M25 conduit gland where mechanical protection are required.

Elcor are distributor in Norway for CCG Glands.

Selection of most used heat trace cables shown in table underneath. All types are in stock at Elcor Stavanger.

Typical trace heaters:				A2F-HTF-FC[CCG]				
Type:	[mm]	x	[mm]	Elcor PN:	Gland Ref. Size:	Conduit thread:	Cable Size [Min. - Max. / Min. - Max.]	Torque [Nm]:
<b>Thermon:</b>								
HTSX 3...20-2	5,21	x	11,88	2008.501	1-20	10mm M25x1,5	4,2-8,0 / 10,9-14,0	32,5
KSX 5...20	5,21	x	11,88	2008.501	1-20	10mm M25x1,5	4,2-8,0 / 10,9-14,0	32,5
BSX 3...10	4,72	x	12,45	2008.501	1-20	10mm M25x1,5	4,2-8,0 / 10,9-14,0	32,5
KSR-2	6,73	x	12,7	2008.501	1-20	10mm M25x1,5	4,2-8,0 / 10,9-14,0	32,5
VSX 5...20-2	5,13	x	13,67	2008.501	1-20	10mm M25x1,5	4,2-8,0 / 10,9-14,0	32,5
RSX 15-2	6,71	x	14,58	2008.502	2-25	10mm M25x1,5	4,8-7,0/13,7-16,0	47,5
USX 3-2(series)	5,03	x	11,78	2008.501	1-20	10mm M25x1,5	4,2-8,0 / 10,9-14,0	32,5
<b>nVent:</b>								
3BTV, 5BTV	5,5	x	10,5	2008.500	0-20s	10mm M25x1,5	4,2-6,4/8,8-11,0	32,5
				2008.501	1-20	10mm M25x1,5	4,2-8,0 / 10,9-14,0	32,5
8BTV, 10BTV	5,5	x	15,4	2008.502	2-25	10mm M25x1,5	4,8-7,0/13,7-16,0	47,5
4XTV, 8XTV, 12XTV, 15XTV, 20XTV	7,2	x	11,7	2008.501	1-20	10mm M25x1,5	4,2-8,0 / 10,9-14,0	32,5
5VPL, 10VPL, 15VPL, 20VPL	7,9	x	11,7	2008.501	1-20	10mm M25x1,5	4,2-8,0 / 10,9-14,0	32,5
10QTVR, 15QTVR	4,5	x	11,8	2008.501	1-20	10mm M25x1,5	4,2-8,0 / 10,9-14,0	32,5
5KTV, 8KTV, 15KTV, 20KTV	7,6	x	13,3	2008.501	1-20	10mm M25x1,5	4,2-8,0 / 10,9-14,0	32,5
20QTVR	5,1	x	14	2008.501	1-20	10mm M25x1,5	4,2-8,0 / 10,9-14,0	32,5
<b>Technical data:</b>				<b>Certifications:</b>				
<u>Materials:</u>								
Brass[Marine Grade Electroless nickel plated, Aluminium and Stainless steel 316/316L				Continous op. Temperature: -60°C ≤ COT ≤ 160°C				
<u>Seal material:</u>				IECEX: Ex db IIC Gb, Ex eb IIC Gb, Ex nR IIC Gc				
Standard thermoset elastomer or extreme temperature seals				IECEX certificate: IECEX CML 20.0011				
<u>Sealing gasket material:</u>				ATEX/UKEX: II 2G Ex db IIC Gb, Ex eb IIC Gb				
HDPE, Nylon 66 or PTFE				ATEX/UKEX certificate: CML 20 ATEX 1026				
<u>Cable type:</u>				ATEX/UKEX: II 3G Ex nR IIC Gc				
Unarmoured or Unarmoured housed in conduit				ATEX/UKEX certificate: CML 22 ATEX 4116				
<u>Sealing area:</u>								
Outher sheath				Ingress protection: IP66/68 850m - Parallel threads				



## A2F-HTF

Ex db I/IIC, Ex eb I/IIC, Ex ta IIIC, Ex nR IIC  
COMPRESSION GLAND for Heat Trace Cable



CCG A2F-HT-FC heat trace glands are made to fit multi brand heat trace cables without use of additional strain relief.

Used directly in transition units on pipe mounted junction boxes. Elcor are distributor in Norway for CCG Glands.

Selection of most used heat trace cables shown in table underneath. All types are in stock at Elcor Stavanger.

Typical trace heaters:				A2F-HTF[CCG]			
Type:	[mm]	x	[mm]	Elcor PN:	Gland Ref. Size:	Cable Size [Min. - Max. / Min. - Max.]	Torque [Nm]:
<b>Thermon:</b>							
HTSX 3...20-2	5,21	x	11,88	2008.504	1-20	4,2-8,0 / 10,9-14,0	32,5
KSX 5...20	5,21	x	11,88	2008.504	1-20	4,2-8,0 / 10,9-14,0	32,5
BSX 3...10	4,72	x	12,45	2008.504	1-20	4,2-8,0 / 10,9-14,0	32,5
KSR-2	6,73	x	12,7	2008.504	1-20	4,2-8,0 / 10,9-14,0	32,5
VSX 5...20-2	5,13	x	13,67	2008.504	1-20	4,2-8,0 / 10,9-14,0	32,5
RSX 15-2	6,71	x	14,58	2008.505	2-25	4,8-7,0/13,7-16,0	47,5
USX 3-2(series)	5,03	x	11,78	2008.504	1-20	4,2-8,0 / 10,9-14,0	32,5
<b>nVent:</b>							
3BTV, 5BTV	5,5	x	10,5	2008.503	0-20s	4,2-6,4/8,8-11,0	32,5
				2008.504	1-20	4,2-8,0 / 10,9-14,0	32,5
8BTV, 10BTV	5,5	x	15,4	2008.505	2-25	4,8-7,0/13,7-16,0	47,5
4XTV, 8XTV, 12XTV, 15XTV, 20XTV	7,2	x	11,7	2008.504	1-20	4,2-8,0 / 10,9-14,0	32,5
5VPL, 10VPL, 15VPL, 20VPL	7,9	x	11,7	2008.504	1-20	4,2-8,0 / 10,9-14,0	32,5
10QTVR, 15QTVR	4,5	x	11,8	2008.504	1-20	4,2-8,0 / 10,9-14,0	32,5
5KTV, 8KTV, 15KTV, 20KTV	7,6	x	13,3	2008.504	1-20	4,2-8,0 / 10,9-14,0	32,5
20QTVR	5,1	x	14	2008.504	1-20	4,2-8,0 / 10,9-14,0	32,5
<b>Technical data:</b>				<b>Certifications:</b>			
<b>Materials:</b>							
Brass[Marine Grade Electroless nickel plated, Aluminium and Stainless steel 316/316L				Continuous op. Temperature: -60°C ≤ COT ≤ 160°C			
<b>Seal material:</b>				IECEX: Ex db IIC Gb, Ex eb IIC Gb, Ex nR IIC Gc			
Standard thermostet elastomer or extreme temperature seals				IECEX certificate: IECEX CML 20.0011			
<b>Sealing gasket material:</b>				ATEX/UKEX: II 2G Ex db IIC Gb, Ex eb IIC Gb			
HDPE, Nylon 66 or PTFE				ATEX/UKEX certificate: CML 20 ATEX 1026			
<b>Cable type:</b>				ATEX/UKEX: II 3G Ex nR IIC Gc			
Unarmoured or Unarmoured housed in conduit				ATEX/UKEX certificate: CML 22 ATEX 4116			
<b>Sealing area:</b>							
Outher sheath							
				Ingress protection: IP66/68 850m - Parallel threads			



**Cladding protector** that protects the heating cable at sharp edges such as endplates of insulation cladding. For use where heating cable runs out of insulation cladding.

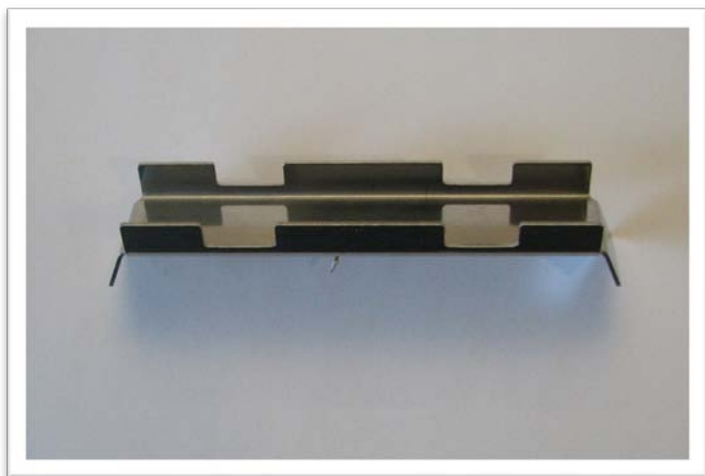
**Technical data:**

Material: SS316L

Measures: 8x25x17 mm

Weight: 6 gr.

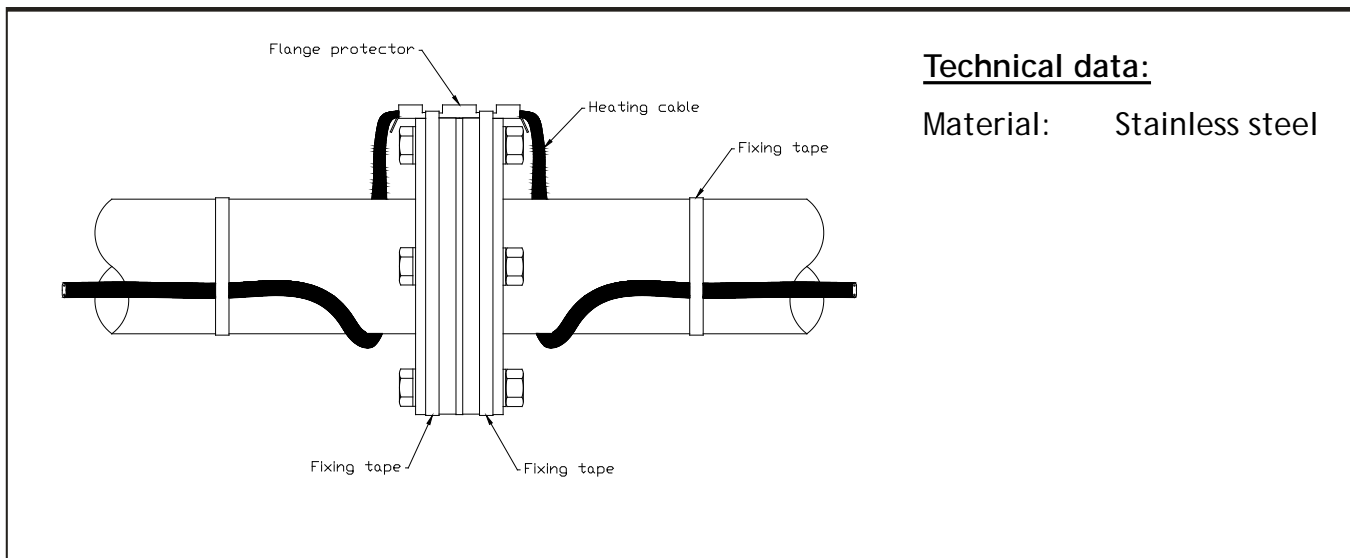
Description	Elcor Part no.
Cladding protector	1700.409



**Flange protector** for mechanical protection of heating cable when crossing flanges.

This protector avoids damage to the heating cable when you have steam leakage.

The protector also protect the heating cable against sharp edges on flanges and bolts.



### Technical data:

Material: Stainless steel

Description	Length	Elcor Part no.
Flange protector type A	50 mm	1700.420
Flange protector type B	75 mm	1700.425
Flange protector type C	100 mm	1700.430
Flange protector type D	125 mm	1700.435



PT-100 MK sensor 20 and 40 meters length

- 3 wire for length compensation
- Cut to length in field
- wide temperature range
- Can be protected with protection kit for PT-100 sensor

### Technical data:

Type element:	PT-100 3 wire
Material in sensor:	AISI 316
Type of cable:	Teflon
Connection:	Sensor Cable
Temp. range:	-200 / +600°C

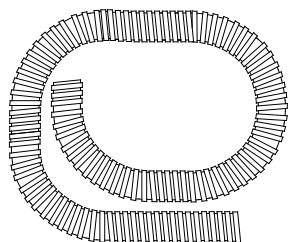
Ui	≤ 35V
Ii	≤ 60mA
Pi	≤ 2,3W
Ci	≥ Negligible
Li	≥ Negligible

Description	Elcor part no.
PT-100 MK, 20-meter length	5000.207
PT-100 MK, 40-meter length	5000.210



Flexible conduit M25 for use with wall mounted protection kit to connect heating cable to the junction box.

Protects the heating cable against mechanical damages. It can be cut-to-length on site.



### Technical data:

Material: Stainless steel  
Dimension: Ø25mm

Description	Length	Elcor Part no.
Flexible conduit Ø25 for protection kit.	1 m	1400.050
Flexible conduit Ø25 for protection kit.	2 m	1400.100
Flexible conduit Ø25 for protection kit.	25 m	1400.200



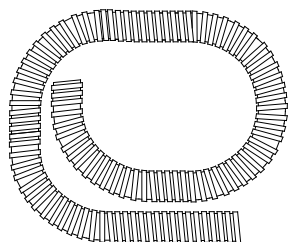


Flexible conduit M20 for use with flexi gland. Flying lead from equipment to the junction box.

Protects the cable against mechanical damages.

It can be cut-to-length on site.

Flexible conduit M16 on request.



Technical data:

Material: Stainless steel 316

Dimension: Ø20mm

Description	Length	Elcor Part no.
Flexible conduit Ø20 for protection	1 m	1400.045
Flexible conduit Ø20 for protection	2 m	1400.145
Flexible conduit Ø20 for protection	25 m	1400.245
Flexi Gland M20 Nickl.PI	NA	2004.103